

BOLLARD LIGHTS / COLLECTION 2023

NEW

living with style



Follow us:



SCAN ME



www.luxurylight.ae



Choose
the best
LED lights



OUTDOOR BOLLARD LIGHTS

These lights are specifically designed to enhance the aesthetic appeal of your garden while providing ample lighting for outdoor activities. With their modern and sleek design, they will add a unique touch to your outdoor space. The bollard lights are also durable and weather-resistant, ensuring that they will last for a long time. Upgrade your garden with these new and stylish bollard lights.



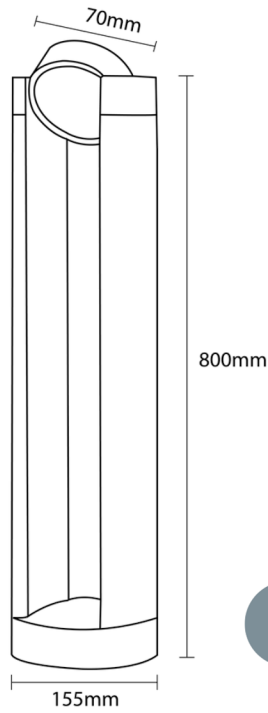
Product No: GN-P135

Pathway, Garden



2 YEARS

★★★★★
WARRANTY



 Lumens: 960lm



Integrated LED



High Quality Aluminium



Easy Install

CE FC  RoHS

Material:	Aluminium, PC	Wattage:	12W
Voltage:	110-240V	Color Temperature:	3000K
Power source:	Hard Wired	Warranty:	2 Years
Body Color:	Black	Application:	Pathway, Garden
IP Rating:	IP65	Size:	155*70*800mm



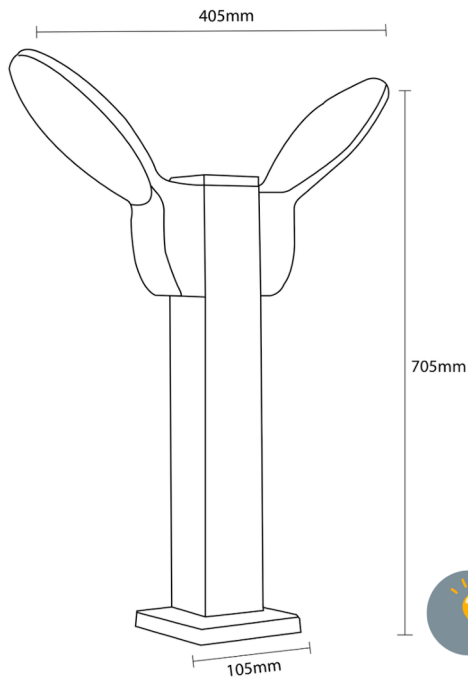
Product No: GN-PS127

Pathway, Garden

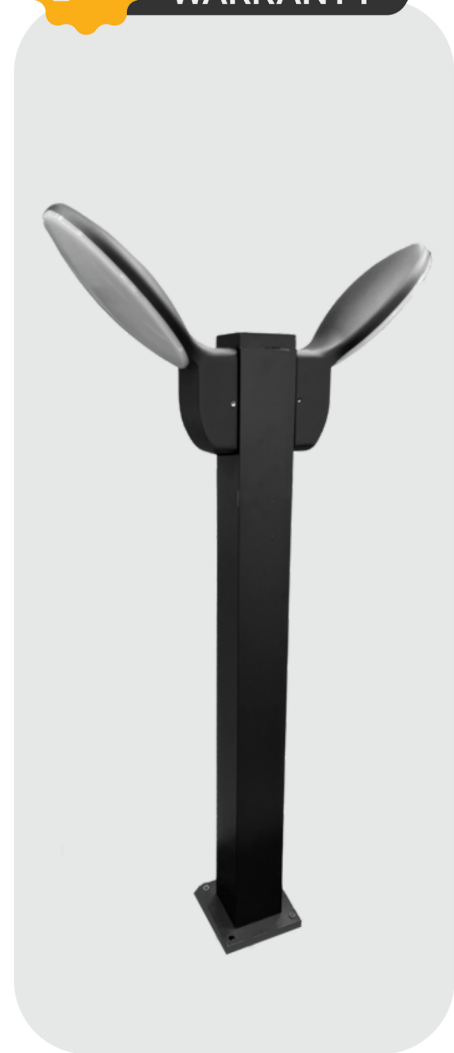


2 YEARS

★★★★★
WARRANTY



 Lumens: 2400lm



Integrated LED



High Quality Aluminium



Easy Install

CE FC  RoHS

Material:	Aluminium, PC	Wattage:	30W
Voltage:	110-240V	Color Temperature:	3000K
Power source:	Hard Wired	Warranty:	2 Years
Body Color:	Black	Application:	Pathway, Garden
IP Rating:	IP65	Size:	705*405*105mm



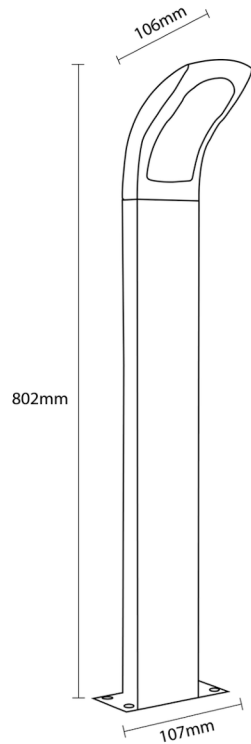
Product No: GN-P-3-H800

Pathway, Garden



2 YEARS

★★★★★
WARRANTY



 Lumens: 960lm



Integrated LED



High Quality Aluminium



Easy Install

CE FC  RoHS

Material:	Aluminium, PC	Wattage:	12W
Voltage:	110-240V	Color Temperature:	3000K
Power source:	Hard Wired	Warranty:	2 Years
Body Color:	Black	Application:	Pathway, Garden
IP Rating:	IP65	Size:	802*106*107mm



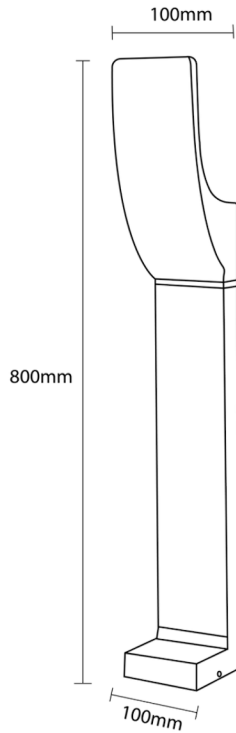
Product No: GN-P035

Pathway, Garden



2 YEARS

★★★★★
WARRANTY



Lumens: 1440lm



Integrated LED



High Quality Aluminium



Easy Install

CE FC  RoHS

Material:	Aluminium, PC	Wattage:	18W
Voltage:	110-240V	Color Temperature:	3000K
Power source:	Hard Wired	Warranty:	2 Years
Body Color:	Black	Application:	Pathway, Garden
IP Rating:	IP65	Size:	800*100*100mm



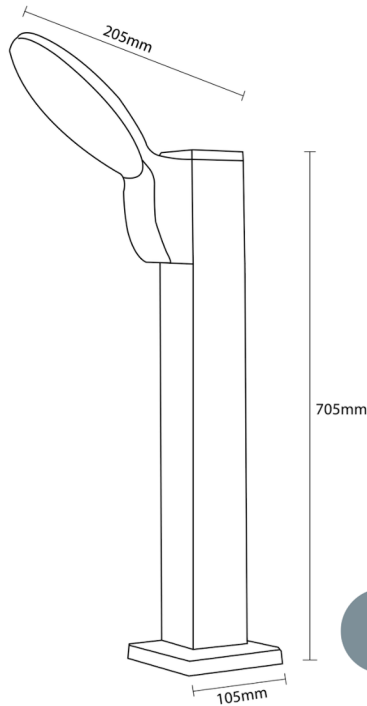
Product No: GN-PS126

Pathway, Garden



2 YEARS

★★★★★
WARRANTY



Lumens: 1200lm



Integrated LED



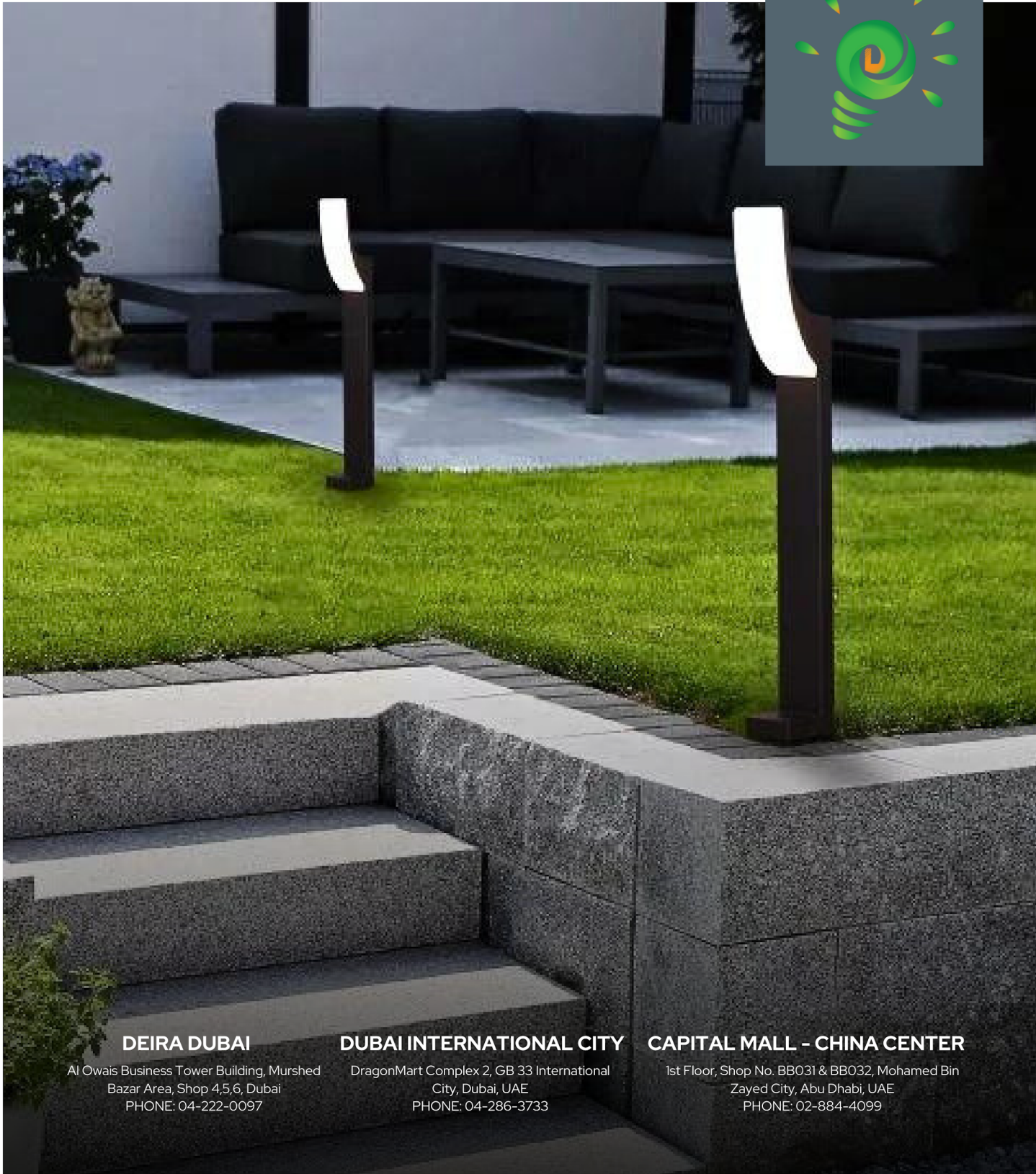
High Quality Aluminium



Easy Install

CE FC  RoHS

Material:	Aluminium, PC	Wattage:	15W
Voltage:	110-240V	Color Temperature:	3000K
Power source:	Hard Wired	Warranty:	2 Years
Body Color:	Black	Application:	Pathway, Garden
IP Rating:	IP65	Size:	705*205*105mm



DEIRA DUBAI

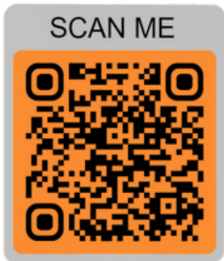
Al Owais Business Tower Building, Murshed
Bazar Area, Shop 4,5,6, Dubai
PHONE: 04-222-0097

DUBAI INTERNATIONAL CITY

DragonMart Complex 2, GB 33 International
City, Dubai, UAE
PHONE: 04-286-3733

CAPITAL MALL - CHINA CENTER

1st Floor, Shop No. BB031 & BB032, Mohamed Bin
Zayed City, Abu Dhabi, UAE
PHONE: 02-884-4099



CE FC  RoHS

Follow us:



www.luxurylight.ae